



PHASE ANGLE TRIAC FIRING CIRCUIT

PATFC
X10647

INTRODUCTION

The PATFC is a thick-film hybrid firing circuit, which gives phase control and is therefore useful as a simple proportional control firing circuit for driving an appropriate triac power device to suit most load applications.

APPLICATIONS

Virtually all resistance heaters including ovens, electric furnaces, moulders, dryers, smelters, heating tapes, stress relieving, space heating and heating mantles. This is unsuitable for use on inductive loads.

FEATURES & USE

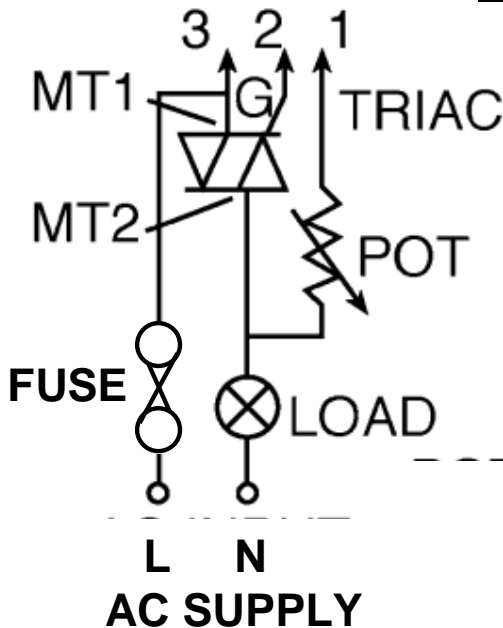
- Compact thick film technology
- Simple triggering device
- Requires additional:-
 - Potentiometer
 - Triac power device
 - Heatsink (for use with triac)

RoHS Compliant



INSTALLATION

Connections



WARNING

This unit requires fusing.

All HAZARDOUS LIVE terminals - isolate supply before commencing any installation work.

NOTE

Front view - Lead connections are right to left (as above photo). Leads 1 to 2 are 2.5mm pitch; leads 2 to 3 are 5mm pitch.

Back view - has flat face and silk screen print.

