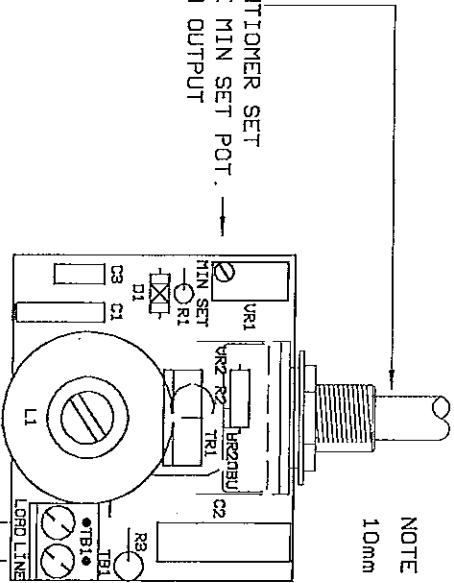
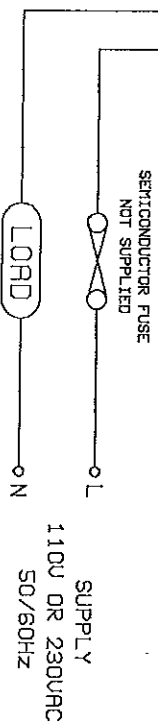
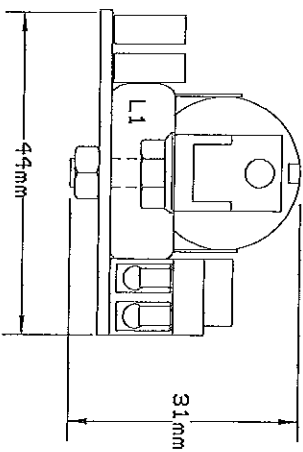


WITH MAIN CONTROL POTENTIOMETER SET FULLY ANTICLOCKWISE, THE MIN SET POT. WILL ADJUST THE MINIMUM OUTPUT LEVEL FROM 0 TO 50%

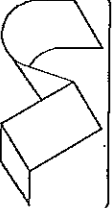
SPRAY LAQUER ON THE REAR OF THE COMPLETED URC WITH THE SERIAL NUMBER



NOTE FOR MOUNTING
10mm HOLE IS REQUIRED TO ACCEPT POTENTIOMETER BUSH



WARNING ISOLATE FROM MAINS SUPPLY BEFORE COMMENCING ANY SERVICE WORK SEE SRA AND ITR DRTSHEETS



UNITED AUTOMATION LTD
1 SOUTHPORT BUSINESS PARK
SOUTHPORT MERSEYSIDE PR8 4HQ
TELEPHONE 01704 518500 FRX. 01704 518501

TITLE:
URC2-1/RFI & URC2-1/RFI HS
CONNECTION DIAGRAM

DRAWN	BN	11 / 1 / 99
CHECK	OME	15 / 1 / 15
ISSUE	4	15 / 1 / 15

ISSUE 4 NOTE ADDED

SCALE 1 : 1	SHEET 1 OF 1
CURRENT ✓	OBsolete
REFER TO X10213-ITR X10255-SRA AT2102/5	DRAWING NO. X10350