

1 Introduction

These variable phase angle regulators are robust, compact and enclosed units for 230V or 110V up to 15A single phase mains driven inductive loads, such as induction motors, fans & pumps. They give fully adjustable voltage outputs from zero to maximum. These controllers also incorporate an OFF switch when the potentiometer is fully anti-clockwise.

The controller has an integral R-C snubber network for control of inductive loads and a minimum set speed adjuster (at the rear) to allow the designer/installer to fix a minimum output voltage level to prevent a motor being driven too slowly.

The large triac enables the unit to handle high inrush currents with ample safety margin on industrial installations. An adhesive backed silver label and hairline knob are included for front panel mounting (or fitted to front of unit).

2 Applications

Suitable for most simple mains driven motors and fans.

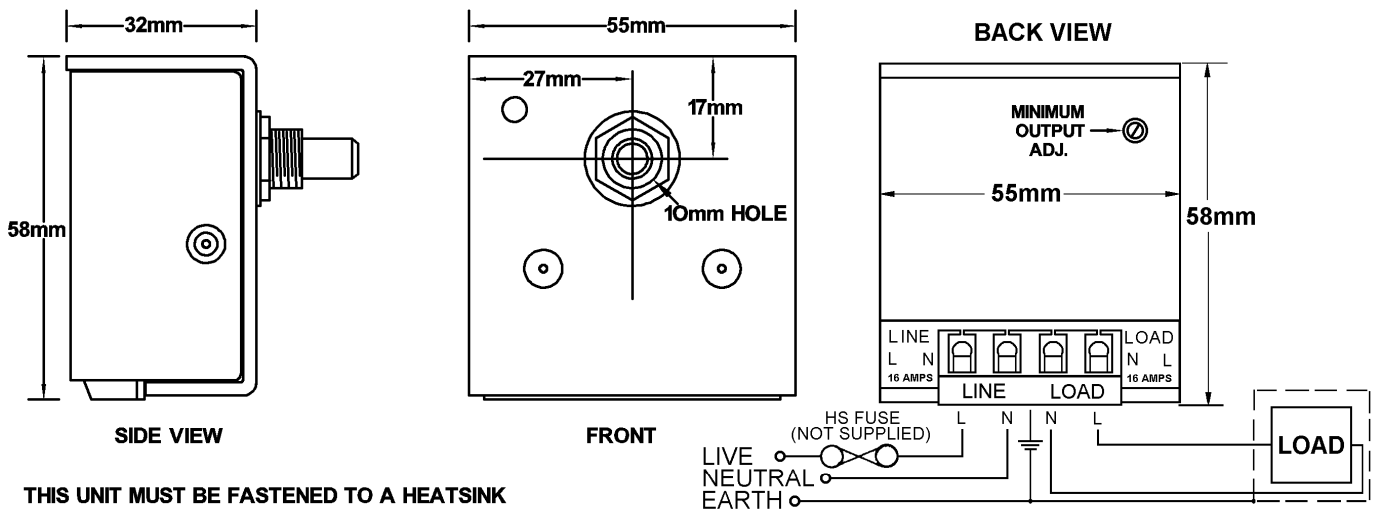
3 Features

- Variable 0-98% output.
- OFF switch on potentiometer.
- Minimum set speed adjuster.
- Single-hole fixing.
- Rugged and compact.
- Large triac for inrush protection.
- Integrated R-C snubber.



4 Installation

CONNECTION & DIMENSIONS



THIS UNIT MUST BE FASTENED TO A HEATSINK RATED AT 2 °C/W FOR 15A OPERATION. HEATSINK PASTE ESSENTIAL FOR GOOD THERMAL CONTACT.

UNITED AUTOMATION LTD

Southport Business Park
Wight Moss Way
Southport, PR8 4HQ
ENGLAND

Tel: 0044 (0) 1704 – 516500
enquiries@united-automation.com
www.united-automation.com

unitedautomationltd UA_Limited



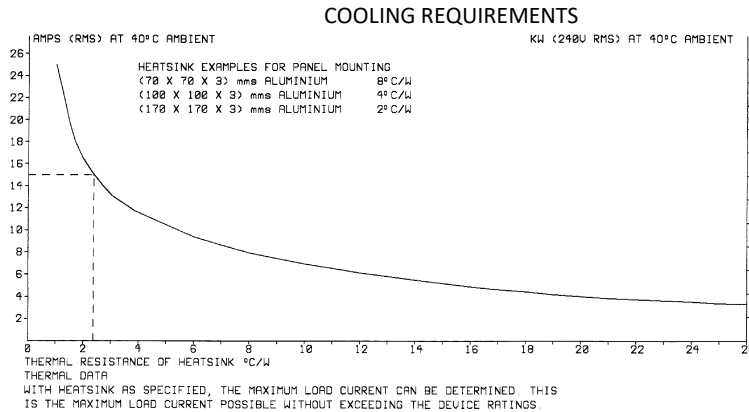
X10690 – VAC2/S-15E & VAC1/S-15E

Single Phase Switched Fan Controls 15A Maximum

Issue 5



5 Installation



6 Specifications

Maximum rms on-state current	15A
Minimum operating current	200mA
Triac limiting rms on state current	25 A
Peak one cycle surge @ 10mS	250 A
Peak one cycle surge HS model @ 10mS	300 A
I ² t for fusing	112 A ² s
Isolation voltage	2500V rms
Maximum recommended unit temperature	70°C
Maximum cable temperature	105°C
Maximum recommended unit load at 20°C ambient, (without extra heatsink)	10 A
Maximum recommended unit load at 40°C ambient, (without extra heatsink)	5 A
Mains supply +/-10% @ 50/60Hz	110 or 230V ac

7 Fusing

It is recommended to use semiconductor (fast acting) type fuses or circuit breakers (Semiconductor - MCB) for unit protection. On initial 'switch on' some loads may need an increased Factor of Safety (F of S) for unit and/or device protection. See the SRA datasheet for further information.

8 CE Marking

This product family carries a "CE marking". These phase angle type controllers require a suitable remote filter. For information see recommendation section and contact our sales desk. See the Declaration of Conformity.

9 Recommendations

Other documents available upon request, which may be appropriate for your application.

Code	Identity	Description
X10229	RFI	Filter recommendations: Addressing the EMC directive
X10213	ITA	Interaction: Uses for phase angle and for burst fire control
X10255	SRA	Safety requirements: Addressing the Low Voltage Directive (LVD) including Thermal data/Cooling, Live parts warning, Earthing requirements and Fusing recommendations
P01.1	COS	UAL Conditions of Sale

NOTE: It is recommended that installation and maintenance of this equipment should be done with reference to the current edition of the I.E.T. (formally I.E.E.) regulations (BS7671) by suitably qualified/trained personnel. The regulations contain important requirements regarding installation and safety of electrical equipment. Specific installers should refer to local and national regulations.

10 Order Code

State stock code	Part number	Description
A72226	VAC2/S-15E	(4Kw @ 230V ac) Switched Fan Controller (inc. knob and dial)
A72160	VAC1/S-15E	(1.6kW @ 110V ac) Switched Fan Controller (inc. knob and dial)

Optional extras include: F-series filter (current at which unit is to be used will be required). Heatsink compound.

UNITED AUTOMATION LTD



Southport Business Park
Wight Moss Way
Southport, PR8 4HQ
ENGLAND

Tel: 0044 (0) 1704 – 516500

enquiries@united-automation.com

www.united-automation.com

unitedautomationltd

 UA_Limited

