

1 Introduction

This single-phase firing module with a 26A triac, uses variable phase-angle control with adjustable signal matching and has a selectable soft-start option. The power supply transformer is remote for increased reliability and wide operational voltage capabilities. The FC11AL2 controller governs the amount of power supplied to the load, by controlling the AC supply. A ramp and pedestal input circuit, allowing variation of firing phase angle by DC signal, enables more power through to the load with increasing angle.

2 Applications

Suitable for most AC-resistive loads with current ratings up to 25A when fitted onto a suitable heatsink (see cooling requirements). This is also suitable for some inductive loads such as transformers and full-wave vibrators, for inductive loads a suitable snubber network (0.1uF X rated 240v AC and a series 100R 2 Watt resistor) should be connected across the power terminals.

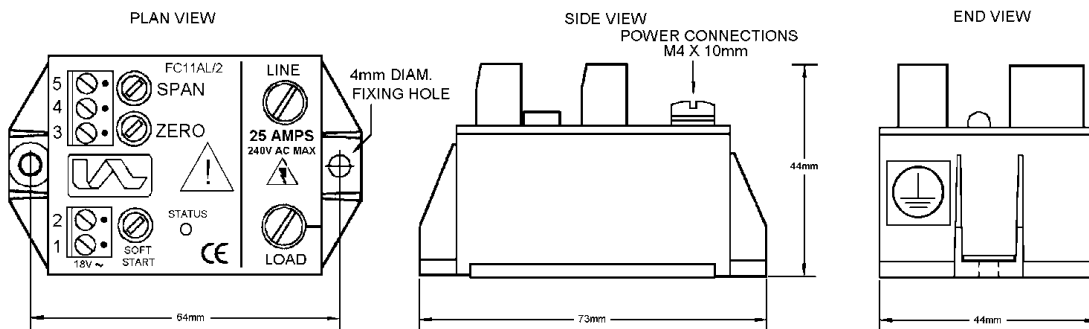
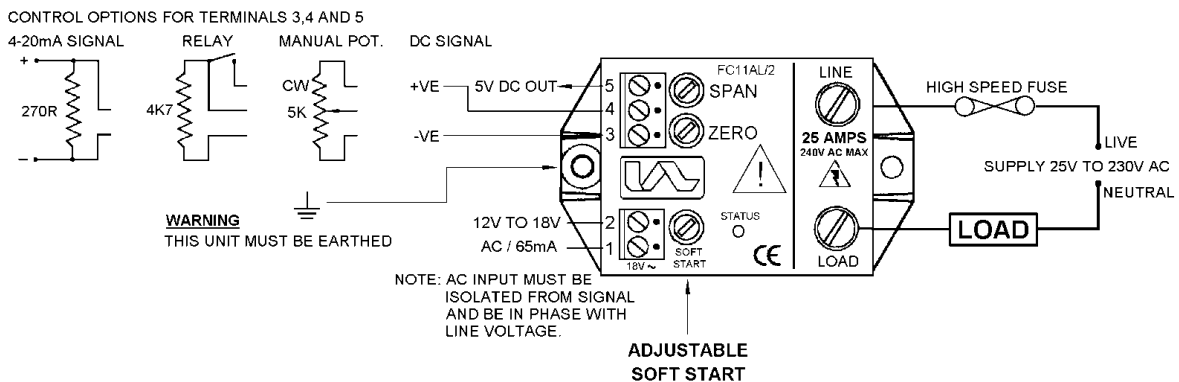
3 Features

- Integrated 26A triac.
- Wide range of control signal inputs (voltage or current).
- Adjustable soft-start function.
- Status LED giving output level indication.
- Consumes less than 2W



4 Installation

4.1 Dimensions & Connections



USE HEATSINK COMPOUND FOR EFFECTIVE THERMAL COUPLING
 WARNING LIVE TERMINALS
 SWITCH OFF MAINS SUPPLY BEFORE COMMENCING ANY SERVICE WORK

UNITED AUTOMATION LTD

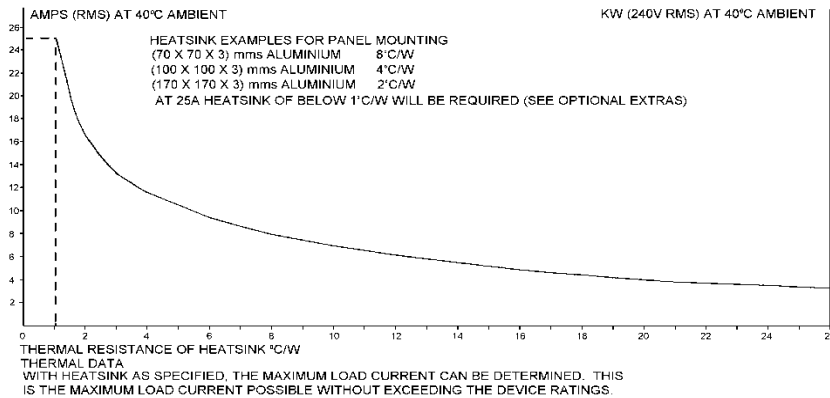
Southport Business Park
 Wight Moss Way
 Southport, PR8 4HQ
 ENGLAND

Tel: 0044 (0) 1704 – 516500
 enquiries@united-automation.com
 www.united-automation.com

unitedautomationltd UA_Limited



4.2 Cooling Requirements



5 Technical Specifications

Signal Span Minimum	1.5 to 5V dc	AC Input Power (1 & 2)	12 to 18V ac @ 65mA
Signal Span Maximum	5 to 25V dc	Auxiliary Output (5)	5V dc
Signal Zero Offset	0-30% of span	Triac Limiting RMS Current	26A
Signal Input Resistance	5kΩ ± 20%	AC Line Voltage ± 10% @ 50/60 Hz	25 to 230V
Manual Potentiometer	2, 5 or 10kΩ	Peak Single Cycle Surge Current	250A
I2t for Fusing (10m sec)	250A2s	Power Consumption	1.7W
Soft Start Time Constant	0-20 seconds	Max. Peak Voltage	600V
Isolation Voltage	2.5kV RMS	Current Rating	25A
Max. Working Temperature	65°C operational	Storage Temperature	0°C to 85°C

6 Fusing

It is recommended to use semiconductor (fast-acting) type fuses or circuit breakers (semiconductor - MCB) for unit protection and an appropriate fuse for unit supply (F1A). On initial power-up some loads may need an increased factor of safety for unit and/or device protection (see SRA datasheet for further information).

7 CE Marking

This product family carries a “CE” marking. These phase angle controllers need a suitable remote filter. For information see recommendation section and contact our sales desk (see Declaration of Conformity).

8 Recommendations & Safety Requirements

Other documents available on request, which may be appropriate for your application:

Code	Identity	Description
X10229	RFI	Filtering Recommendations: Addressing the EMC Directive
X10213	ITA	Interaction: Uses for phase angle and for burst fire control
X10255	SRA	Safety Requirements: Addressing the Low Voltage Directive (LVD) including Thermal Data/Cooling, Live Parts Warning, Earthing Requirements and Fusing Recommendations
X10378	ILR	Inductive loads remedy sheet for use with phase angle controllers
P01.1	COS	UAL Conditions of Sale

Note: It is recommended that installation and maintenance of this equipment should be done with reference to the current edition of the I.E.T. (formally I.E.E.) regulations (BS7671) by suitably qualified/trained personnel. The regulations contain important requirements regarding installation and safety of electrical equipment. Specific installers should refer to local and national regulations.

9 Order Code

State Part Number	FC11AL/2 + Signal Option
Optional Extras	Potentiometer, Supply Transformer, Heatsink Assembly, Heatsink Compound, Heatsink, Filter.
Note: When ordering the filter, the current that the FC11AL/2 is to be used at will be required.	



UNITED AUTOMATION LTD

Southport Business Park
 Wight Moss Way
 Southport, PR8 4HQ
 ENGLAND

Tel: 0044 (0) 1704 – 516500
 enquiries@united-automation.com
 www.united-automation.com

unitedautomationltd UA_Limited

