



PHASE ANGLE ELECTRONIC HEAT SWITCH UP  
TO 17A  
WITH RFI SUPPRESSION

QLC/RFI 17A

X10311

**INTRODUCTION**

These switchable phase angle power regulators are robust and compact units, ideal for controlling single phase mains driven loads. The standard QLC units are for 230V supply, with an integral three position and off control switch. The large triac enables the unit to handle high inrush currents with ample safety margin on industrial installations. These units incorporate their own RFI filter network to comply with EMC Regulations (Class A).

**APPLICATIONS**

Suitable for quartz lamps, conventional resistive heating elements in series or parallel configurations. Applications including ovens, moulders, dryers and some inductive loads for example transformers and motors.

**FEATURES**

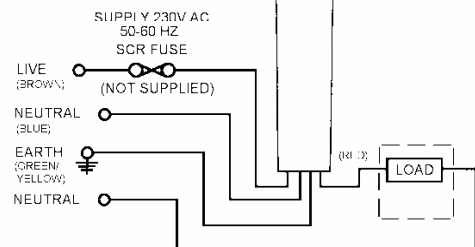
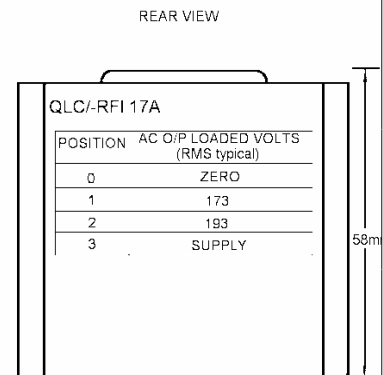
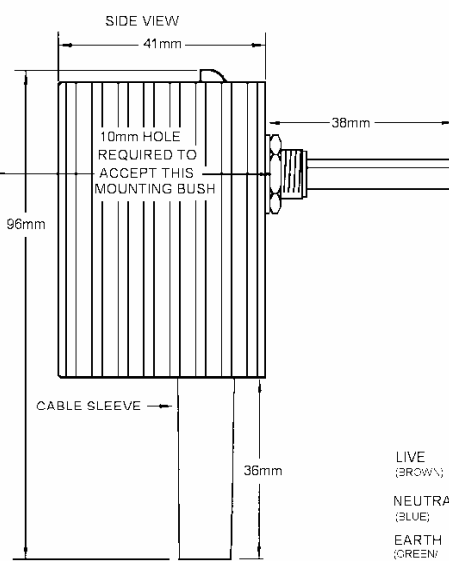
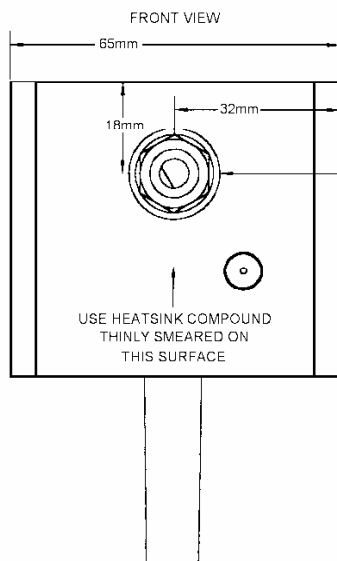
- Integral RFI network.
- Large triac for inrush protection
- Three position and off control.
- Single hole fixing.
- Rugged and compact
- Designed to maximise thermal dissipation

RoHS Compliant  
Directive  
2002/95/EC



**INSTALLATION**

CONNECTIONS AND DIMENSIONS

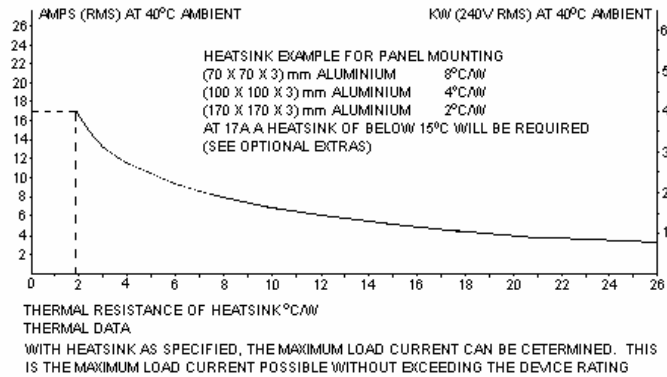


**WARNING**  
LIVE TERMINALS - SWITCH OFF SUPPLY BEFORE COMMENCING ANY SERVICE WORK.

**NOTE**  
FOR HEATSINK PANEL MOUNTING A 10mm HOLE IS REQUIRED TO ACCEPT MOUNTING BUSH. HEATSINK COMPOUND MUST BE USED FOR EFFECTIVE THERMAL COUPLING.

## INSTALLATION

## COOLING REQUIREMENTS



## SPECIFICATIONS

Triac limiting RMS. On state current	26A	Isolation voltage	2500V rms
Unit limiting RMS. On state current	17A	$I^2t$ limiting value for fusing	112A <sup>2</sup> s
Peak one cycle surge @ (10ms)	320A	Mains supply tolerance, within 10%	230V ac @ 50/60Hz
Max load at 20°C ambient (without extra heatsink)	10A	Min operating current	200mA
Max unit operating temperature	65°C	Unit storage temperature range	-20 TO +85°C

### FURTHER DIMENSION

Shaft diameter	6.3mm	Shaft projection from bush	30mm
Bush length	5mm	Standard cable length	400mm

## FUSING

It is recommended to use semiconductor (fast acting) type fuses or circuit breakers (Semiconductor-MCB) for unit/device protection. On initial 'switch on' some loads may need an increased Factor of Safety (F of S) for Unit and/or Device protection. See SRA Data sheet for further information.

## CE MARKING

This product family carries a "CE" marking and incorporates a filter. (Standard type to emission levels BS EN 55022 Class A – Industrial) to address the EMC directive. For more information see recommendations section and contact our sales desk. (See Declaration of Conformity)

## RECOMMENDATIONS

Other documents available on request, which may be appropriate for your application: -

CODE	IDENTITY	DESCRIPTION
X10229	RFI	Single Phase Filtering recommendations - addressing EMC Directive
X10213	ITA	Interaction, uses for phase angle and for burst fire control.
X10255	SRA	Safety requirements - addressing the Low Voltage Directive (LVD) including: - Thermal data/cooling; "Live" parts warning & Earth requirements; Fusing recommendations.
	AP02/4	COS UAL Conditions of sale.

**NOTE** It is recommended that installation and maintenance of this equipment should be done with reference to the current edition of the I.E.E. wiring regulations (BS7671) by suitably qualified/trained personnel. The regulations contain important requirements regarding safety of electrical equipment (For International Standards refer to I.E.C/ directive IEC 950).

## ORDER CODE:

State part number: QLC/RFI 17A +(Supply voltage)  
Optional extras include: Knob, Dial, Heatsink paste, Filter



## UNITED AUTOMATION LIMITED

1 Southport Business Park  
Kew  
Southport, PR8 4HQ  
ENGLAND

Tel: 0044 (0) 1704 – 516500 Main  
Tel: 0044 (0) 1704 – 516516 Sales  
Fax: 0044 (0) 1704 – 516501  
Enquiry@united-automation.com  
www.united-automation.com

Page No. 2 of 2

Issue 2

Date 27/03/01

